

# SLIMPORT CIRCULAR METAL VISION FRAMES

The **ZEROplus** top selling Slimport is a circular vision frame for installation in doors, walls and partitions. It is available to suit four different door cut-outs: 250mm, 350mm, 450mm and 550mm. With countersunk holes in the bevel return on one side only, and 25mm screws that pass through the door cut-out and fix internally, the Slimport looks good aesthetically, and is totally free from visible fixings on the corridor side.

## INSTALLATION

The Slimport low projection porthole is available in four diameters and offers concealed fixing one side, and screw fixing through the bevel on the other side. The fixing screws pass through the door cut-out and fasten to the opposite side of the vision frame, eliminating the need to drill the door for through fixing bolts. They are designed for flush fitting to both steel and timber doors.

Each set is supplied complete with all fixing screws and instructions. Glazing tape, intumescent aperture liners and glass should be ordered separately. The door cut-out should be the same size as the order size of the vision frame i.e. 250mm, 350mm, 450mm or 550mm.

## DOOR AND GLASS THICKNESS

Slimports are available to suit the four most popular door thicknesses of 40mm, 44mm, 50mm and 54mm with a tolerance either way of  $\pm 2$ mm. The glazing pocket is 10mm wide ( $\pm 2$ mm in relation to the door thickness) to accommodate 6mm thick glass and appropriate glazing tape. If you have other door and glass thickness combinations please contact us regarding availability. Also see page 89.

**SP250.40-SS** two-part ring set to suit 38-42mm thick door and 6mm glass (glass central in door)

**SP250.44-SS** two-part ring set to suit 42-46mm thick door and 6mm glass (glass central in door)

**SP250.50-SS** two-part ring set to suit 47-51mm thick door and 6mm glass (glass offset in door)

**SP250.54-SS** two-part ring set to suit 52-56mm thick door and 6mm glass (glass central in door)

To obtain the reference for different diameter Slimports, simply change the '250' in the references above to '350', '450', or '550'. The suffix '-SS' refers to satin stainless steel – please refer to page 88 for other finishes available.

## GLASS

Glass is available in four diameters to suit the four diameters of Slimports. Glass size is 27mm less than cut-out size for each diameter. Slimports have a 10mm glazing pocket to accommodate glass and glazing tape (either standard foam or fire rated intumescent tape) so it is important to use glass nominally 6mm thick (i.e. 5-7mm thick). If using 9mm Firelite it is important to use the thinnest FS9009 glazing tape available i.e. 2mm thick.

We recommend and stock four different types of glass to suit visual and fire rating requirements:

	223MMØ	323MMØ	423MMØ	523MMØ
<b>6.4MM THICK LAMINATED CLEAR SAFETY GLASS (NON FIRE RATED)</b>	LAM223	LAM323	LAM423	LAM523
<b>7.2MM THICK CLEAR GEORGIAN WIRE PLATE SAFETY GLASS (30 MINUTE FIRE RATED) SEE NOTE ON PAGE 93</b>	GWP223	GWP323	GWP423	GWP523
<b>6.0MM THICK CLEAR MODIFIED TOUGHENED FIRE RESISTANT GLASS (60 MINUTE FIRE RATED)</b>	PCT223	PCT323	PCT423	PCT523
<b>9.0MM THICK CLEAR LAMINATED GLASS CERAMIC (240 MINUTE FIRE RATED)</b>	FIR9223	FIR9323	FIR9423	FIR9523



Clear glasses can be supplied frosted to give opaque appearance for store rooms and toilet lobbies. The glass can also be etched with corporate logos (to order) or with sex and disabled toilet symbols as shown below:



.1 female sex symbol



.2 male sex symbol



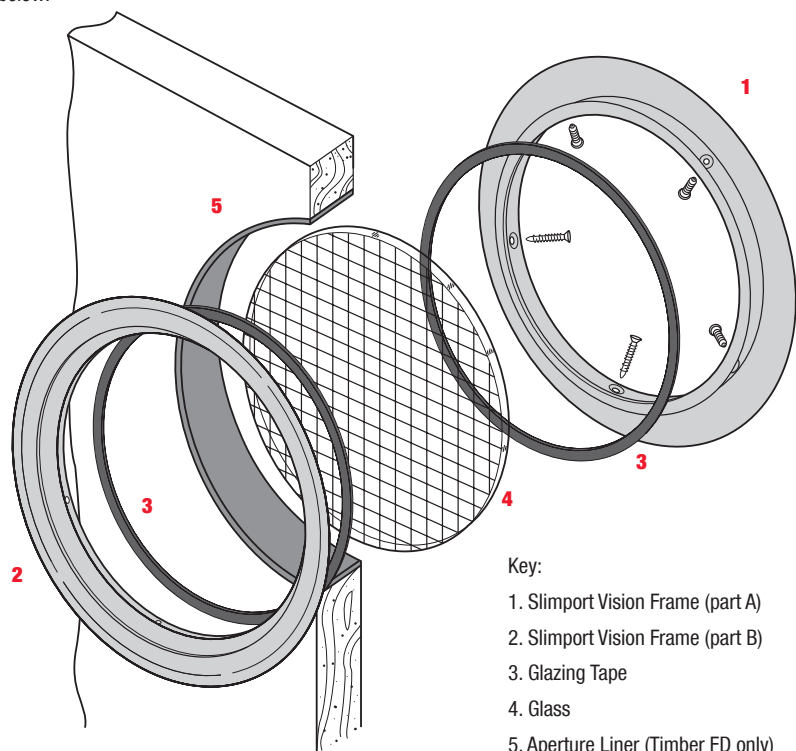
.3 unisex symbol



.4 wheelchair symbol



.5 baby change symbol



Key:

- 1. Slimport Vision Frame (part A)
- 2. Slimport Vision Frame (part B)
- 3. Glazing Tape
- 4. Glass
- 5. Aperture Liner (Timber FD only)

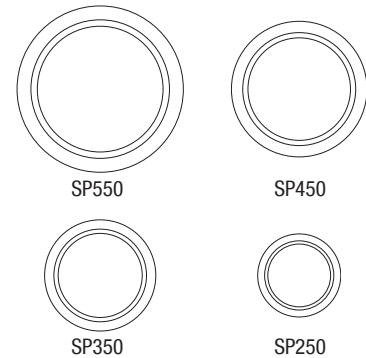
# SLIMPORT CIRCULAR METAL VISION FRAMES

## GLAZING TAPE – FOAM, INTUMESCENT AND CERAMIC TYPE

Glazing tape is fitted to both sides of the glass before it is sandwiched between the two parts of the Slimport vision frame. It is available either 0.8, 1.0, 1.6, 2.0, 3.2, 4.0, 6.0 or 8.0mm thick to suit slightly different door and glass thicknesses. For non fire rated doors, use GT-132/GT-116/GT-18 closed cell polyvinyl chloride foam with PSA backing; for timber fire rated doors use FS2002 intumescent glazing tape. In the event of fire this tape starts to intumesce at 176°C and expands 6-8 times its volume to ensure that the integrity of the door and vision frame is maintained. For steel fire rated doors requiring greater than 60 minute fire ratings use FS9009 ceramic type tape which ensures the glass does not slump at higher temperatures. This tape is non-carcinogenic.

<b>GT-132</b>	0.8mm thick x 9.5mm wide black closed cell polyvinyl chloride foam with PSA backing
<b>GT-116</b>	1.6mm thick x 9.5mm wide black closed cell polyvinyl chloride foam with PSA backing
<b>GT-18</b>	3.2mm thick x 9.5mm wide black closed cell polyvinyl chloride foam with PSA backing
<b>20312375PSA</b>	0.8mm thick x 9.5mm wide FS2002 intumescent glazing tape with PSA backing
<b>2062375PSA</b>	1.6mm thick x 9.5mm wide FS2002 intumescent glazing tape with PSA backing
<b>2125375PSA</b>	3.2mm thick x 9.5mm wide FS2002 intumescent glazing tape with PSA backing
<b>9782375PSA</b>	2.0mm thick x 10.0mm wide FS9009 white ceramic type glazing tape with PSA backing
<b>9157375PSA</b>	4.0mm thick x 10.0mm wide FS9009 white ceramic type glazing tape with PSA backing
<b>9236375PSA</b>	6.0mm thick x 10.0mm wide FS9009 white ceramic type glazing tape with PSA backing

To calculate the length of glazing tape required for each diameter, refer to the circumference dimensions on page 88 and multiply by two. (Circumference =  $\pi d$ ). FS9009 should be subjected to 50% compression.



## APERTURE LINERS

On non fire rated doors it is simply a case of cutting the correct diameter hole in the door and fitting the Slimport with glass and foam glazing tape.

On fire rated steel doors this remains the case, although the foam glazing tape is upgraded to FS2002 intumescent glazing tape (under 60 minutes) or FS9009 ceramic type glazing tape (over 60 minutes).

However on fire rated timber doors, it is necessary to line the aperture with a FS4004 1.6mm thick intumescent liner which in the event of fire begins to expand at 288°C and expands 80 times its volume to ensure that the integrity of the door is maintained. The liner is supplied with PSA pressure sensitive adhesive tape, and is available 44mm wide for 30 minute fire doors and 54mm wide for 60 minute fire doors.

<b>40621750PSA</b>	1.6mm thick x 44mm wide FS4004 intumescent aperture liner with PSA backing (30 mins)
<b>40622125PSA</b>	1.6mm thick x 54mm wide FS4004 intumescent aperture liner with PSA backing (60 mins)

To calculate the length of aperture liner required for each diameter, refer to the circumference dimension on page 88. As a general rule, the quantity of aperture liner required will be half the amount of glazing tape.

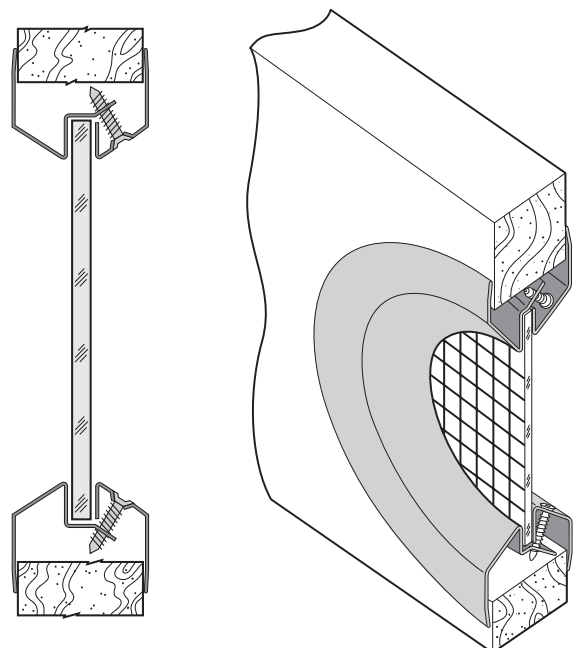
## FIRE TESTING

Mild steel and stainless steel Slimport glazed vision panel systems are assessed for use on previously successfully fire tested timber based doorsets up to 60 minutes and insulated and uninsulated steel based doorsets (mild steel, galv steel and stainless steel) up to 240 minutes with respect to BS EN 1634-1: 2000 and/or BS 476: Part 22: 1987. WF Assessment Report No 190869 Issue 4 dated 02.10.2010 refers. Copy available upon request.

Slimport frames must be used in the same configuration as tested with an aperture of the same size as that proposed being used (vision or louvre acceptable). Doors must have been previously tested to the relevant standard. All four sizes of Slimport are covered by the assessment, as are mild steel and stainless steel frames. Some glasses are assessed to EN, but others have BS approval only. See Report for full listing.

Zero FS2002 intumescent glazing tape and FS4004 intumescent aperture liners should be used on timber doors. FS9009 “ceramic type” glazing tape should be used on steel doors. **NO TIME CONSUMING HARDWOOD DOOR LIPPING IS NECESSARY.**

If Slimports are being specified for fire rated doors, it is important to use the glass, glazing tape and intumescent liners in the combinations as detailed in the Report.



# SLIMPORT CIRCULAR METAL VISION FRAMES

## SLIMPORT TWO PART RING SET

PRODUCT REF.	FINISH	CODE	XX=.40	XX=.44	XX=.50	XX=.54
<b>SP250</b> 250MM CUTOUT 200MM VISIBLE LIGHT 223MM GLASS DIA 785MM CIRCUMFERENCE 285MM OUTSIDE FRAME	- Zinc plated mild steel	SP250.XX-GV	✓	✓	✓	✓
	- Chrome pearlite silver ▲	SP250.XX-CP	-	✓	✓	✓
	- Satin stainless steel	SP250.XX-SS	✓	✓	✓	✓
	- Polished stainless steel	SP250.XX-PS	✓	✓	✓	✓
<b>SP350</b> 350MM CUTOUT 300MM VISIBLE LIGHT 323MM GLASS DIA 1100MM CIRCUMFERENCE 385MM OUTSIDE FRAME	- Zinc plated mild steel	SP350.XX-GV	✓	✓	✓	✓
	- Chrome pearlite silver ▲	SP350.XX-CP	-	✓	✓	✓
	- Satin stainless steel	SP350.XX-SS	✓	✓	✓	✓
	- Polished stainless steel	SP350.XX-PS	✓	✓	✓	✓
<b>SP450</b> 450MM CUTOUT 400MM VISIBLE LIGHT 423MM GLASS DIA 1415MM CIRCUMFERENCE 485MM OUTSIDE FRAME	- Zinc plated mild steel	SP450.XX-GV	✓	✓	✓	✓
	- Chrome pearlite silver ▲	SP450.XX-CP	-	✓	✓	✓
	- Satin stainless steel	SP450.XX-SS	✓	✓	✓	✓
	- Polished stainless steel	SP450.XX-PS	✓	✓	✓	✓
<b>SP550</b> 550MM CUTOUT 500MM VISIBLE LIGHT 523MM GLASS DIA 1729MM CIRCUMFERENCE 585MM OUTSIDE FRAME	- Zinc plated mild steel	SP550.XX-GV	-	✓	✓	✓
	- Chrome pearlite silver ▲	SP550.XX-CP	-	✓	-	-
	- Satin stainless steel	SP550.XX-SS	-	✓	-	-
	- Polished stainless steel	SP550.XX-PS	-	✓	-	-

.40 two part ring set to suit 38-42mm (40mm nominal) thick door and 6mm glass (10mm glazing space) see page 89

.44 two part ring set to suit 42-46mm (44mm nominal) thick door and 6mm glass (10mm glazing space)

.50 two part ring set to suit 47-51mm (49mm nominal) thick door and 6mm glass (10mm glazing space) see page 89

.54 two part ring set to suit 52-56mm (54mm nominal) thick door and 6mm glass (10mm glazing space)

▲Note: Chrome pearlite silver finish not suitable for external use. For external, corrosive and coastal applications use stainless steel.

## GLASS CIRCLES AND GLAZING TAPES

### CLOSED CELL FOAM GLAZING TAPES (USUALLY FITTED TO BOTH SIDES OF GLASS IE. CIRCUMFERENCE X 2) - AVAILABLE IN COMPLETE ROLLS ONLY

GT-132	0.8mm thick x 9.5mm wide x 61 metre roll (200ft)	black closed cell polyvinyl chloride foam
ZPGT-1010/DS	<b>NEW</b> 1.0mm thick x 10.0mm wide x 50 metre roll	black closed cell polyvinyl chloride foam
GT-116	1.6mm thick x 9.5mm wide x 61 metre roll (200ft)	black closed cell polyvinyl chloride foam
ZPGT-1510/DS	<b>NEW</b> 1.5mm thick x 10.0mm wide x 46 metre roll	black closed cell polyvinyl chloride foam
GT-18	3.2mm thick x 9.5mm wide x 30 metre roll (100ft)	black closed cell polyvinyl chloride foam
ZPGT-3010/DS	<b>NEW</b> 3.0mm thick x 10.0mm wide x 20 metre roll	black closed cell polyvinyl chloride foam

### INTUMESCENT AND CERAMIC TYPE GLAZING TAPES (FIT TO BOTH SIDES OF GLASS IE. CIRCUMFERENCE X 2) - AVAILABLE IN STOCK LENGTHS ONLY

FS2002 (20312375PSA)	0.8mm thick x 9.5mm wide x 2438mm long strip	intumescent glazing tape, PSA backing
FS2002 (2062375PSA)	1.6mm thick x 9.5mm wide x 2438mm long strip	intumescent glazing tape, PSA backing
FS2002 (2125375PSA)	3.2mm thick x 9.5mm wide x 2438mm long strip	intumescent glazing tape, PSA backing
FS9009 (9782375PSA)	2.0mm thick x 10.0mm wide x 10 metre long roll	ceramic type glazing tape, PSA backing
FS9009 (9157375PSA)	4.0mm thick x 10.0mm wide x 10 metre long roll	ceramic type glazing tape, PSA backing
FS9009 (9236375PSA)	6.0mm thick x 10.0mm wide x 10 metre long roll	ceramic type glazing tape, PSA backing

### INTUMESCENT APERTURE LINERS (FOR TIMBER FIRE DOORS - TO FIT INSIDE OF DOOR CUTOUT IE. CIRCUMFERENCE) - ORDER IN STOCK LENGTHS ONLY

FS4004 (40621750PSA/8)	1.6mm thick x 44mm wide x 2438mm long (½ hr)	intumescent aperture liner, PSA backing
FS4004 (40622125PSA/8)	1.6mm thick x 54mm wide x 2438mm long (1 hr)	intumescent aperture liner, PSA backing
FS4004 (40621750PSA/4)	1.6mm thick x 44mm wide x 1219mm long (½ hr)	intumescent aperture liner, PSA backing
FS4004 (40622125PSA/4)	1.6mm thick x 54mm wide x 1219mm long (1 hr)	intumescent aperture liner, PSA backing

GLASS (FOR FIRE RATED AND NON FIRE RATED DOORS)	DIAMETER 223MM	DIAMETER 323MM	DIAMETER 423MM	DIAMETER 523MM
6.4mm thick laminated clear safety glass (non fire rated)	LAM223	LAM323	LAM423	LAM523
7.2mm thick clear GWP safety (½ hr fire rated) see page 93	GWP223	GWP323	GWP423	GWP523
6mm thick clear fire resistant (½ and 1hr fire rated)	PCT223	PCT323	PCT423	PCT523
9mm thick laminated clear ceramic (4hr fire rated) <b>NEW</b>	FIR9223	FIR9323	FIR9423	FIR9523*
6.4mm thick laminated opaque glass (non fire rated)	LAM223/F	LAM323/F	LAM423/F	LAM523/F
6mm thick frosted fire resistant (½ and 1hr fire rated) <b>NEW</b>	PCT223/F	PCT323/F	PCT423/F	PCT523/F*

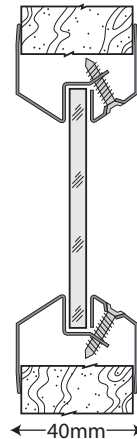
# SLIMPORT CIRCULAR METAL VISION FRAMES

Standard Slimports are manufactured to suit 44mm thick and 54mm thick doors, in four diameters and in both mild steel and stainless steel. They all offer a 10mm glazing pocket to accommodate 6mm to 7mm thick glass and glazing tape both sides of the glass. Over the years we have modified tooling and introduced variants that are not covered on pages 86-88, and these are shown below.

## TO SUIT 40MM THICK DOORS

Many Continental doors are 40mm thick, so we have developed products to suit this door thickness. These products are only currently available in 250mm, 350mm and 450mm diameters in zinc plated mild steel and satin stainless steel. These are the same design as our standard self-attaching sets with fixings visible one side only. For sufficiently large enquiries, other finishes and sizes may be available.

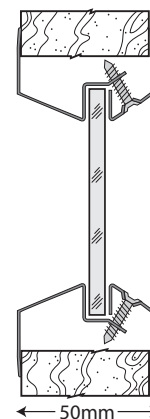
<b>SP250.40-SS</b>	to suit 250mm diameter cut-out, with 200mm clear vision satin stainless steel
<b>SP350.40-SS</b>	to suit 350mm diameter cut-out, with 300mm clear vision satin stainless steel
<b>SP450.40-SS</b>	to suit 450mm diameter cut-out, with 400mm clear vision satin stainless steel
<b>SP250.40-GV</b>	to suit 250mm diameter cut-out, with 200mm clear vision zinc plated mild steel
<b>SP350.40-GV</b>	to suit 350mm diameter cut-out, with 300mm clear vision zinc plated mild steel
<b>SP450.40-GV</b>	to suit 450mm diameter cut-out, with 400mm clear vision zinc plated mild steel



## TO SUIT 50MM THICK DOORS

Some Scandinavian door manufacturers supply 49-50mm thick doors, and we are able to supply Slimports to suit this door thickness by taking one half of a 44mm set and the other half of a 54mm set and putting them together. This does mean the glass is slightly offset in the door but this is barely noticeable once the Slimport is mounted in the door. Please notify us if you are ordering 50mm Slimports for pairs of doors or multiple units for a single door, and we will ensure that they are matching offset. The full range of Slimports to suit 50mm thick door and 6mm glass are on page 88, but the most popular sizes are shown below.

<b>SP250.50-SS</b>	to suit 250mm diameter cut-out, with 200mm clear vision satin stainless steel
<b>SP350.50-SS</b>	to suit 350mm diameter cut-out, with 300mm clear vision satin stainless steel
<b>SP450.50-SS</b>	to suit 450mm diameter cut-out, with 400mm clear vision satin stainless steel
<b>SP450.50-GV</b>	to suit 450mm diameter cut-out, with 400mm clear vision mild steel, zinc plated finish



## TO SUIT DOUBLE GLAZED UNITS

As a general rule, Slimports are designed with a 10mm glazing pocket to suit 6-7mm thick glass and glazing tape 1.6mm thick fitted to both sides of the glass. However where thicker double glazed units are being used we can offer a 450mm diameter set that offers a 24mm glazing pocket on a 44mm thick door. This will suit 18-20mm thick double glazed units with glazing tape. It consists of two identical Part A rings spun to be only 10mm thick (rather than the usual 20mm). Because of this, the fixing method is different to standard Slimports.

The Part A rings are supplied undrilled and one side is usually welded (or screwed) in first, then the double glazed unit fitted. It may be necessary to provide a seat for the double glazed units as the vision rings themselves will provide no support. Finally the second ring is drilled through the flat face and screwed into place.

The clear vision is 400mm, and the usual cut-out for this product is 450mm but it will be less in this instance; a 435mm diameter cut-out is recommended. Please note these units have not been fire tested. Double glazed units should be ordered at 430mm diameter, with the maximum edge distance specified as 13mm.

If you require a fire rated porthole to suit a double glazed unit please refer to Anemostat Lo-FP-12 BB1 and Lo-FP-18 BB1 on page 83.

<b>SP435 PART A GV</b>	to suit 435mm diameter cut-out, with 400mm clear vision mild steel, zinc plated finish (two rings)
------------------------	--

