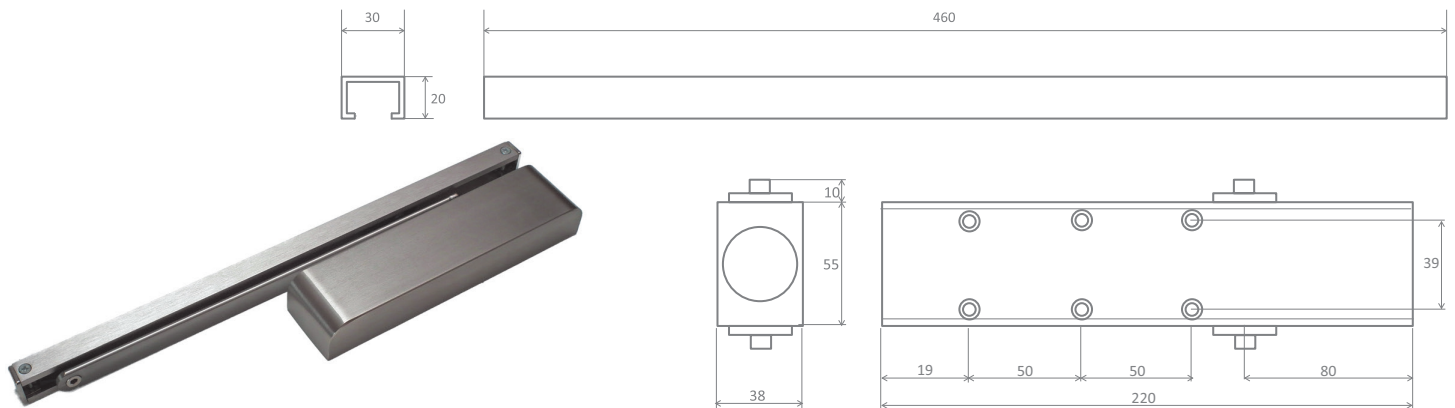


TS5.225SA Size 2-4 Guide Rail Door Closer



Product Overview:

A durable and stylish variable power overhead guide rail door closer. Suitable for a variety of applications where BS8300/Equalities Act/ Approved Document 'M' is not a requirement.

3 8 $\frac{2}{4}$ 1 1 3

Testing & Standards:

- CE marked against EN1154
- Included in successful fire test to EN1634
- Suitable for use on timber fire doors of up to 120 minutes fire resistance
- Safe in use
- High corrosion resistance

Specification

Closing Force (Fig 1)	EN Size	2-4
Door Size (max)	Width (mm)	1100
	Weight (kg)	80
Body Dimensions	Length (mm)	220
	Width (mm)	55
	Depth (mm)	38
Application	Regular Fig. 1	y
	Parallel Arm Fig. 6	n
	Transom Fig. 61	y
Mechanism	Irregular Rack & Pinion	y
Power Shoe Bracket		n
Angle Of Opening		110°
Non Handed		y
Power Adjustment By Spring		y
Power Adjustment By Position		n
Adjustable Sweep Speed		y
Adjustable Latch Speed		y
Adjustable Mechanical Backstop		o*
Adjustable Delayed Action		n
Guarantee	Years	10

Options

Architrave Brackets	n
Drop Plates	n
Track Hold-Open Device (not suitable for use on fire doors)	y*
Hollow Door Fixing Pack	n
Saddle Bracket For Glass Door Installation	n

Cover Options

Radius Edge	n
Semi-Radius	y
Full-Radius	n
Square	n

Finish Options

Cover & Matching Guide Rail	SIL, SSS, PSS, PB, RAL, BRONZE
-----------------------------	--------------------------------------

* these options are not covered by CE