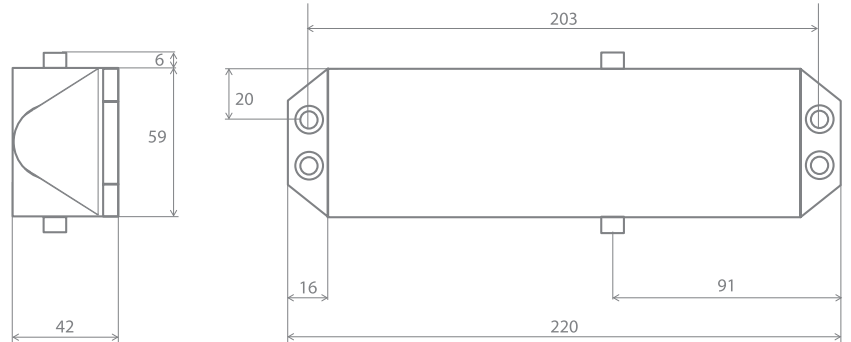


TS4.224 Size 2-4 Architectural Slimline Overhead Door Closer



Product Overview:

A stylish adjustable power overhead door closer, which is suitable for many applications where there is general usage, such as office accommodation, flat entrance doors etc.

4 8 3 1 1 3

Testing & Standards:

- CE marked against EN1154
- Included in successful fire test to EN1634
- Suitable for use on timber fire doors of up to 120 minutes fire resistance
- Certifire approved - refer to CF689 for scope of approval
- Safe in use
- High corrosion resistance

Specification

Closing Force (Fig 1 & Fig 6)	EN Size	3**
Door Size (max)	Width (mm)	950
	Weight (kg)	60
Body Dimensions	Length (mm)	220
	Width (mm)	59
	Depth (mm)	42
Application	Regular Fig. 1	y
	Parallel Arm Fig. 6	y
	Transom Fig. 61	y*
Mechanism	Rack & Pinion	y
Power Shoe Bracket		y
Angle Of Opening		S3 -180° S4 -105°
Non Handed		y
Power Adjustment By Spring		n
Power Adjustment By Position		y
Adjustable Sweep Speed		y
Adjustable Latch Speed		y
Adjustable Backcheck		n
Adjustable Delayed Action		n
Guarantee	Years	25
Options		
Architrave Brackets		n
Drop Plates		n
Hold-Open Arm (not suitable for use on fire doors)		y*
Slide Arm & Track		n
Hollow Door Fixing Pack		n
Saddle Bracket For Glass Door Installation		n
Cover Options		
Radius Edge		n
Semi-Radius		y
Full-Radius		n
Square		n
Finish Options		
No Cover		SIL
Cover & Matching Armset		SIL, SSS, PSS, PB, RAL, BRONZE

** optional 4 by template. Not covered by CE or Certifire
* these options are not covered by CE or Certifire