



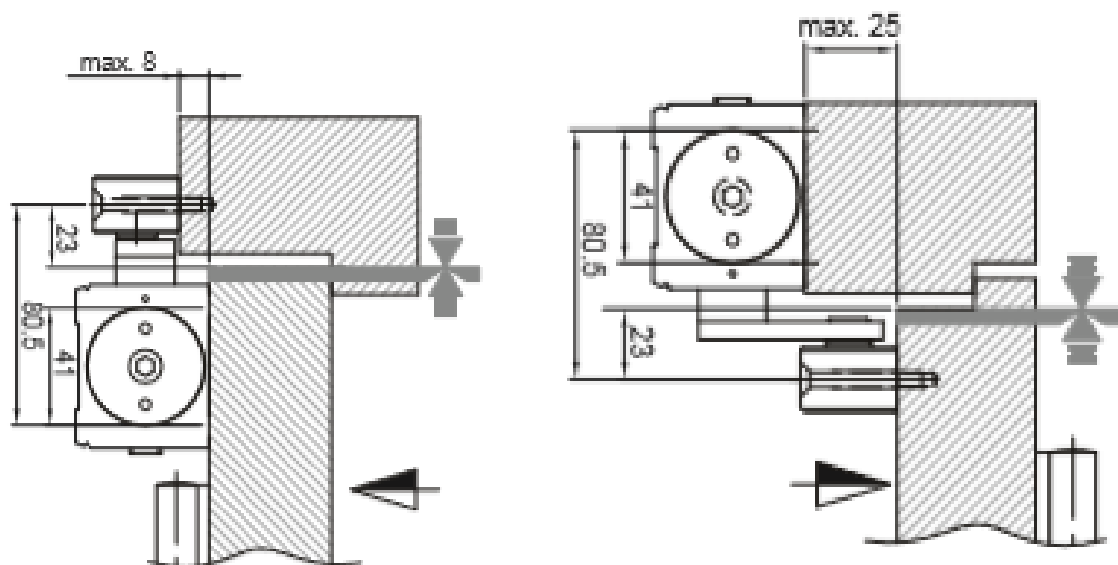


## Synergy Hardware Cam Architrave dimensions / limitations.

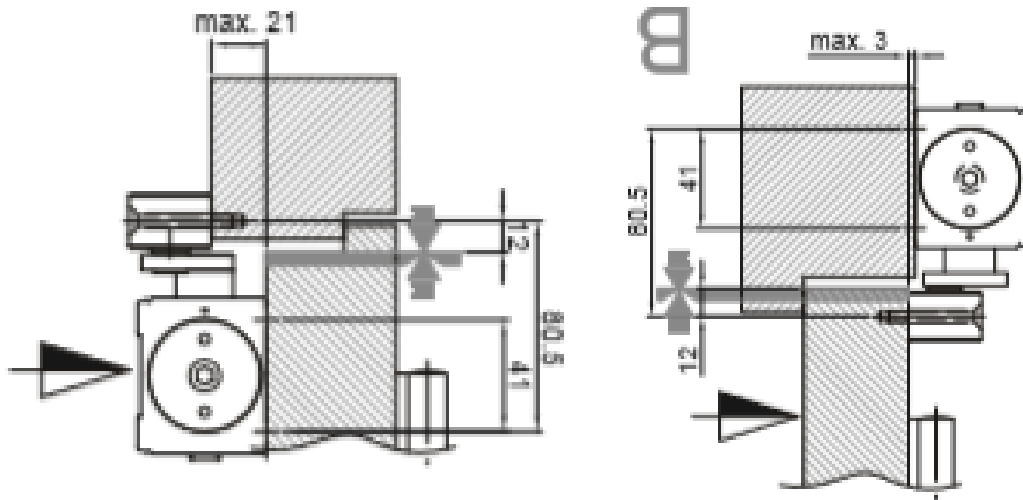
				
	B Type Pull	B Type Push	G Type Pull	G Type Push
S3000	8mm	25mm	3mm	21mm
S3400 (without mounting plate)	8mm	25mm	3mm	21mm
S3500 (without mounting plate)	11mm	25mm	3mm	21mm
S3400 (with mounting plate)	13mm	30mm	3mm	26mm
S3500 (with mounting plate)	16mm	30mm	3mm	26mm

### S3400 Series – 2-4 Adjustable Power Surface Cam Closer

S3401 – Pull Side Door Mount or Push Side Transom Mount

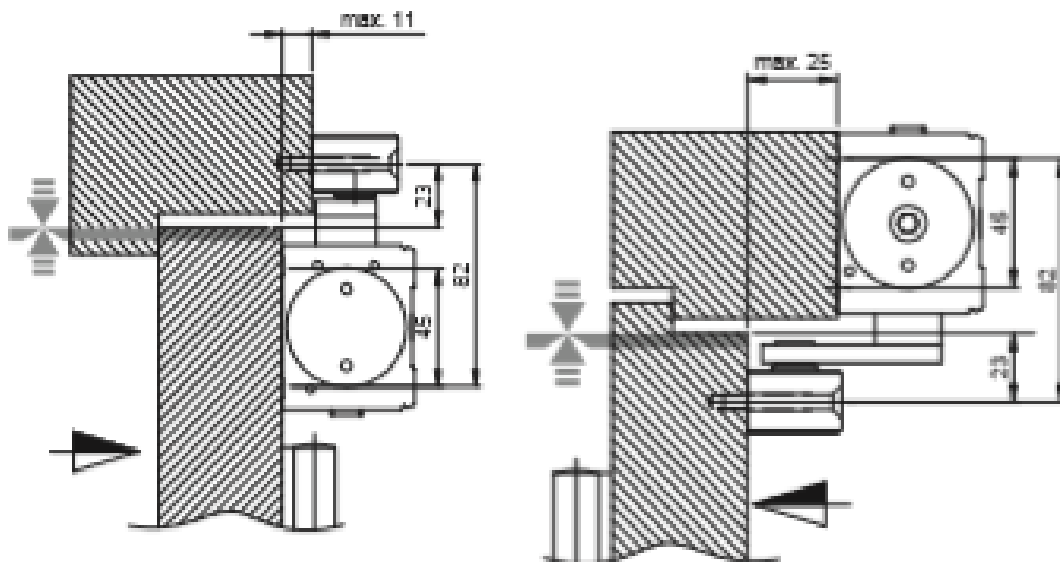


**S3406 – Push Side Door Mount or Pull Side Transom Mount**

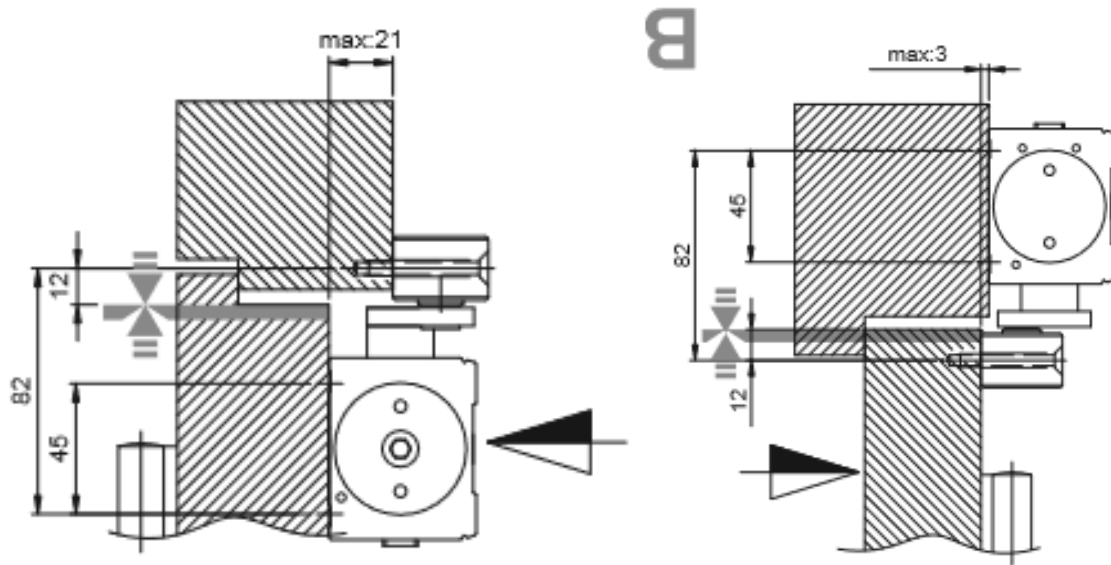


**S3500 Series – 2-5 Adjustable Power Surface Cam Closer**

**S3501 – Pull Side Door Mount or Push Side Transom Mount**



**S3506 - Push Side Door Mount or Pull Side Transom Mount**



**S3406.AB Angle Bracket to suit Deep Head Reveal Section on both 3400 and 3500 Closers**

