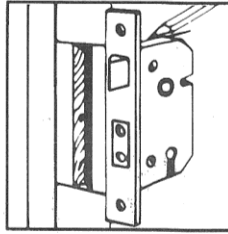


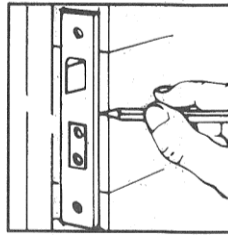
Fixing Instructions

3 & 5 LEVER MORTICE SASHLOCKS

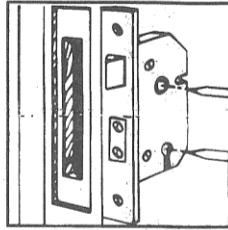
1. Position lock centrally on door and mark off body on the edge and both faces of door. Cut slot to suit lock, ensuring a snug fit.



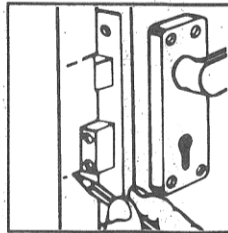
2. Insert lock and mark position of front plate recess.



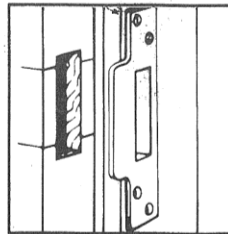
3. Using lock as template, mark off positions of keyhole and follower and drill and cut on both sides of door. Insert lock, position face plate and fasten with screws provided. Fix "Lever Lock Set" to door and test.



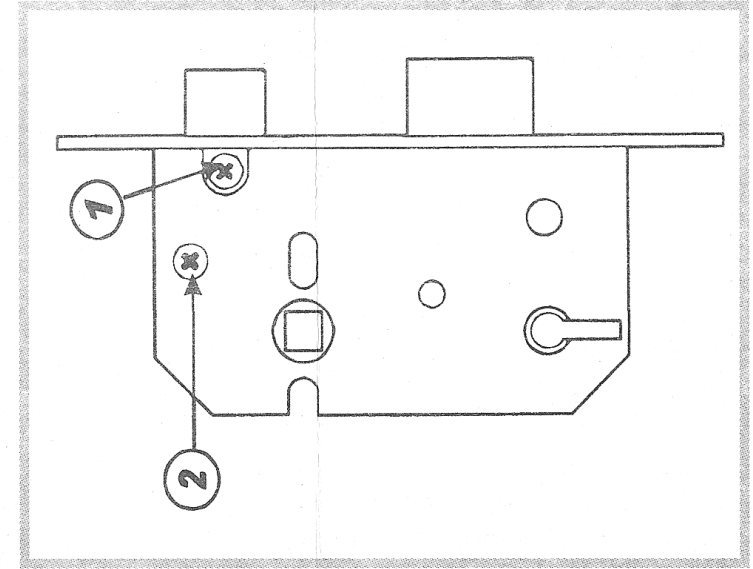
4. With door open, turn key to locked position. Close door onto frame and mark positions of "Dead Bolt" and "Bevel Bolt".



5. Mark out and cut slot in frame to accommodate box plate. Fix the box plate, recess flush with frame if required. Secure plate with 2 screws initially to test lock operation. Complete fixing.



Instructions - Changing the Hand of the Lock



Insert screw into hole (2) and secure.

Remove screw from latch bolt (1) and pull out latch bolt.

Reverse the bolt and push back into the lock case.

Re-secure the screw in latch bolt (1) and remove the securing screw (2).