

SELECT PRO BOLT ON LONG THROW KEYLATCH



- G** Gate locks everytime it is shut and requires the key to open every time.
- G** Stainless steel latchbolt which springs a unique 22mm (7/8") into the gate post. Long throw for extra security.
- G** Supplied with bolt support plate and gate post strike plate to ensure extra smooth latching action.
- G** Adjustable latchbolt for precise fitting. Easy to rotate for left and right hand gates.



PRODUCT DETAILS

Product code:	Description:
SBKLLT1601	To fit 10-30mm (1/2" - 1-1/4") gate
SBKLLT1602	To fit 40-60mm (1-1/2" - 2-1/4") gate

Marine grade: Salt spray tested for 1000 hours.

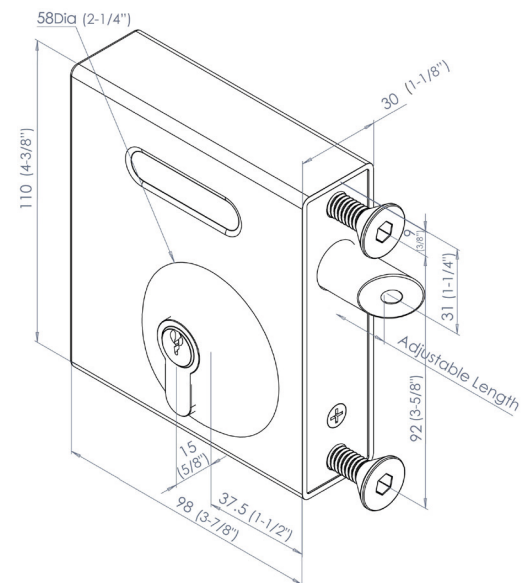
Latchbolts: Adjustable, latchbolt springs 22mm (7/8").

Perfect for both left and right handed gates.



INSTALLATION

1. Drill 2 x 9mm (3/8") dia. holes at 92mm (3-5/8") centres for M8 fixing bolt.
2. Drill 18mm (3/4") clearance hole for latchbolt at 22mm (7/8") centres down from the top 9mm (3/8") hole.
3. Fix lock in place using stainless steel clamp plate, bolt support plate and 2 stainless steel countersunk fixing bolts supplied.
4. Drill clearance hole in keep or outer frame to receive the latchbolt. Slot this hole vertically to allow for gate sag. Fit strike plate by either welding or screw fixing it to the gate post.
5. Ensure latchbolt moves freely without binding on gate or frame.
6. **MAINTENANCE** Every two months, lubricate the latchbolt with light oil. Annually, dismantle lock and spray the mechanism inside with light oil.



G GATEMASTER

