

GATEMASTER

Bolt on Deadlock

Specification Sheet
No.147

- Stainless steel deadbolt which moves 30mm with one turn of the key
- Deadbolt is adjustable in length for precise fitting on site
- Very easy to fit

Product Options

Two locks available,

- SBD1601** to fit flat bar and up to 30mm box section
SBD1602 to fit 40mm to 60mm box section

Installation

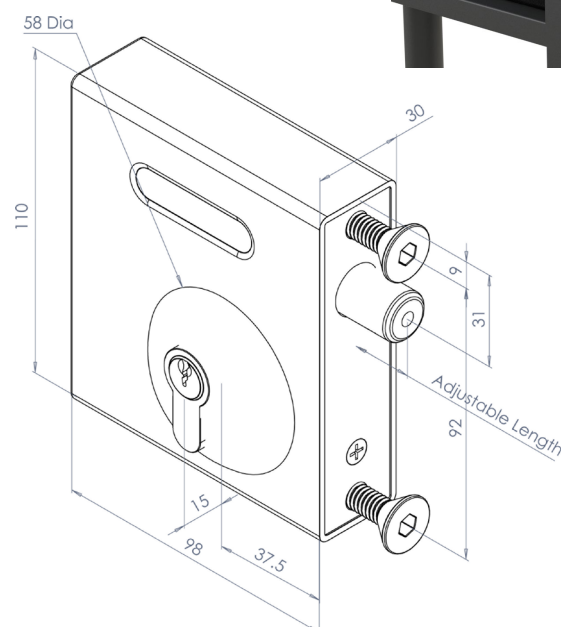
1. Drill 2 x 9mm dia. holes at 92mm centres for M8 fixing bolts
2. Drill 18mm clearance hole for latchbolt at 22mm centres down from the top 9mm hole
3. Fix lock in place using stainless steel clamp plate, bolt support plate and 2 stainless steel countersunk fixing bolts supplied
4. Drill clearance hole in keep or outer frame to receive the latchbolt. Slot this hole vertically to allow for gate sag
5. Ensure latchbolt moves freely without binding on gate or frame

Maintenance

Every 2 months - Lubricate latchbolt with light oil.
Annually – Dismantle lock and spray mechanism inside with light oil



SBD1601



Related Products



Latch Deadlock



Latch



Keylatch