

Double nightlatches

760

760 double nightlatch with snib lock-back

Application:

Locks for classroom doors, offices, industrial premises, apartments, etc.

Available with single cylinder and thumbturn, or alternatively with double cylinders or single cylinder only.

Supplied as standard with striking plate. Cylinder and accessories bolt through lockcase for added strength.

Key can only be removed in locked (or locked-back) position. Bolts reversible without opening lockcase.

For finishes and dimensions see Lockcases Information appendix.

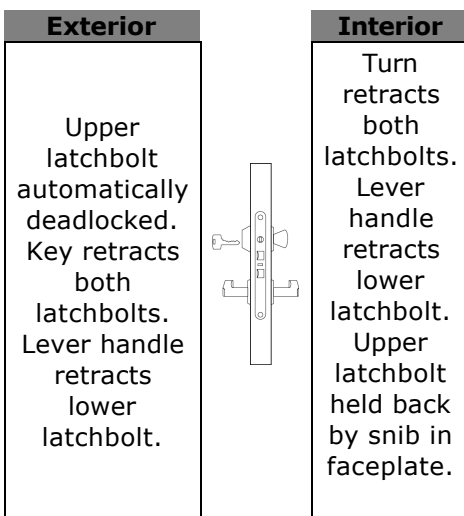
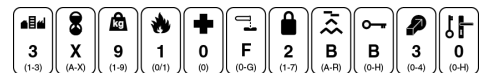
When ordering please specify door thickness.



Specification:

Upper bolt deadlocks automatically when door is closed. Snib for locking the upper bolt into lockcase. Lower bolt operated by lever handle.

Available with either 50mm or 70mm backset.



Finish:

Product has been successfully type-tested for conformity to BS EN 12209.

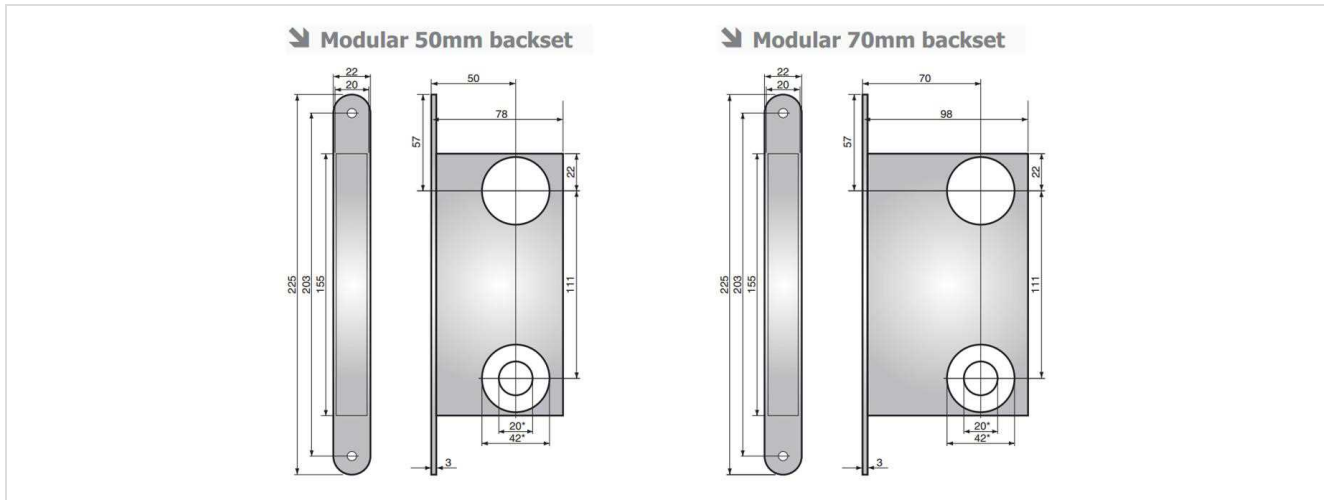
Regular audit testing is undertaken.

Double nightlatches

760

760 double nightlatch with snib lock-back

Technical Design:



Variants:

Code	Description
46916062313	760 50MM LOCKSET
80304362313	760 70MM LOCKSET