

# Sash locks

**8765**

## 8765 high security sash lock

### Application:

Locks for shops and entrance doors to private houses, industrial premises, offices or for any situation where a key operated deadlock is required plus a latch and lever handles.

Available with single cylinder and thumbturn, or alternatively with double cylinders or single cylinder only.

Supplied as standard with striking plate. Cylinder and accessories bolt through lockcase for added strength.

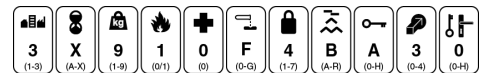
Key can be removed in locked or unlocked position.

For finishes and dimensions see Lockcases Information appendix.

When ordering please specify hand and door thickness.



### Specification:



Special high security lockcase. Hardened steel deadbolt thrown 21mm by single 360° turn of key or thumbturn.

Supplied with high security box striking plate.

Latchbolt reversible without opening lockcase.

Available with either 50mm or 70mm backset.

Exterior		Interior
Key operates deadbolt. Lever handle retracts latchbolt.		Thumbturn operates deadbolt. Lever handle retracts latchbolt.

### Finish:

Product has been successfully type-tested for conformity to BS EN 12209.

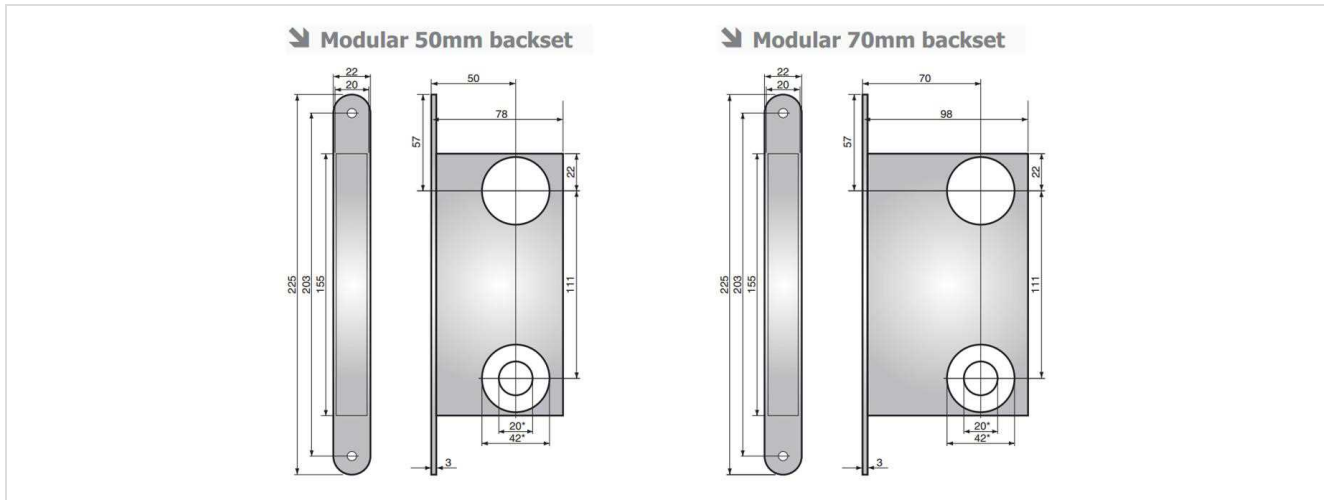
Regular audit testing is undertaken.

# Sash locks

8765

8765 high security sash lock

## Technical Design:



## Variants:

Code	Description
46910562313	8765 50MM LOCKSET
80481462313	8765 70MM LOCKSET