

Escape sash lock

1520

1520 escape sash lock

Application:

Locks for exit doors offering a very high degree of security from the outside, but allowing unrestricted exit. Suitable for doors to flats and apartments, hotel bedrooms and commercial premises.

Available with single cylinder and thumbturn, or alternatively with double cylinders or single cylinder only. Supplied as standard with special striking plate*. Cylinder and accessories bolt through lockcase for added strength. Split Follower Lock incorporates different and separate functions on either side of the door.

For finishes, handing and dimensions see Lockcases Information appendix. For accessories configurations see Variations insert.

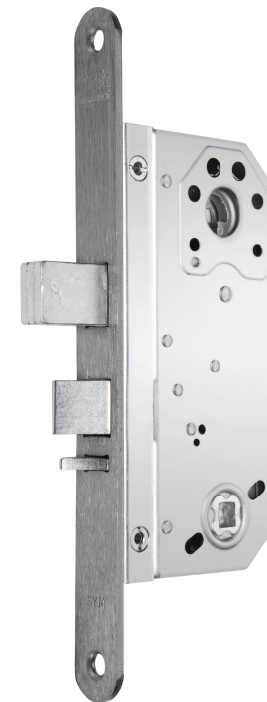
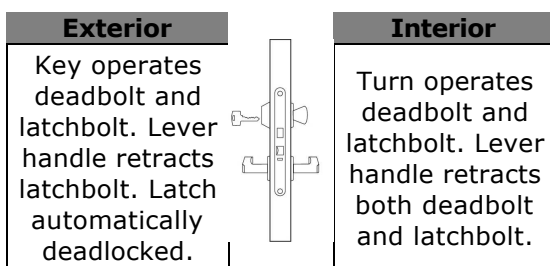
When ordering please specify hand, direction of door opening and door thickness.

Specification:

Hardened steel deadbolt thrown 25mm by 90° turn of key or thumbturn. Latchbolt deadlocks automatically when door is closed.

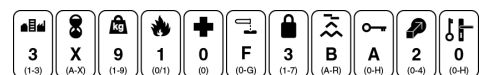
Lever handle at one side withdraws latchbolt. Lever handle on other side withdraws both latchbolt and deadbolt.

Available with either 50mm or 70mm backset.



Standards:

*Supplied with special box striking plate to accommodate the 25mm deadbolt throw. The 1520 cannot be used with standard ASSA Modular security strikes.



Finish:

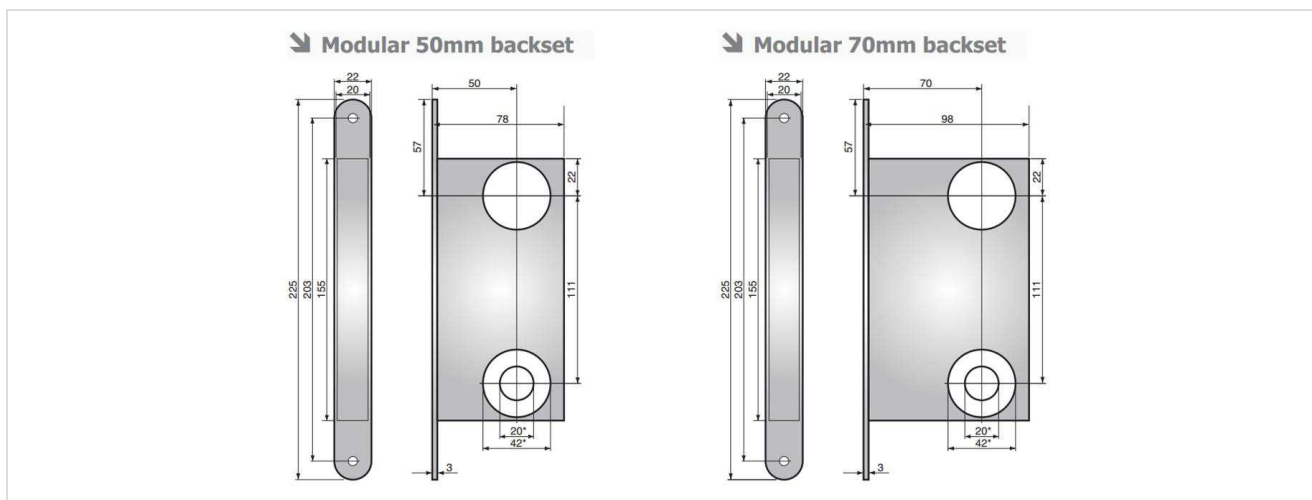
Product has been successfully type-tested for conformity to BS EN 12209. Regular audit testing is undertaken.

Escape sash lock

1520

1520 escape sash lock

Technical Design:



Variants:

Code	Description
80474862313	1520L 50MM LOCKSET
80474762513	1520R 50MM LOCKSET
80474843513	1520L 50MM M3 M/SWITCH
80474743313	1520R 50MM M3 M/SWITCH
80475062313	1520L 70MM LOCKSET
80474962513	1520R 70MM LOCKSET
80475043513	1520L 70MM M3 M/SWITCH *SEE TECH PAGE**
80474943313	1520R 70MM M3 M/SWITCH **SEE TECH PAGE**
80208310761	1520 STRIKING PLATE (BACK BOX INCL.)
80474962313	1520R 70MM LOCKSET *OUTWARD OPENING**
80475062513	1520L 70MM LOCKSET *OUTWARD OPENING*